

Never  
5-5-18



## South Russell Park

### Playground Proposal



5830 Spring River Avenue  
Dublin, OH 43016

**Eric Jones**  
eric@americanathletix.com  
Ohio Recreation Consultant

cell (614) 527-7238  
fax (888) 295-2319

[www.americanathletix.com/kompan](http://www.americanathletix.com/kompan)



EVERYWHERE PEOPLE PLAY

Bleachers ♦ Stadium Seating ♦ Playgrounds  
Scoreboards ♦ Gymnasium Equipment  
Shelters ♦ Site Amenities ♦ More

Info@americanathletix.com ♦ Office: (888) 599-4999 ♦ Fax: (888) 295-2319 ♦ P.O. Box 1881 ♦ Muskegon, MI 494

**Quotation**

South Russell Park  
Attn: Ike Tripp  
South Russell Village  
5205 Chillicothe Rd  
South Russell, Ohio 44022

Parkour 5, Wizard Double Tower

Date: 4.18.18  
Quote #: SRP040418-1  
Expires: 07.01.18  
Approx. Lead Time 10 weeks

Description: US Communities Contract Pricing

quantity	item number	description	Each	net
✓ 1	NRO857-1013	PARKOUR 005 US BROWN	\$ 18,680.00	\$ 16,812.00
✓ 1	NRO2010-1011	THE WIZARD'S DOUBLE TOWER FORTRESS BROWN	\$ 46,840.00	\$ 42,156.00
✓ 1	ELE400065-3717GR	TIPI CAROUSEL WITH TOP BRACE GREEN - INGROUND	\$ 4,210.00	\$ 3,789.00
✓ 1	GXY960012-3417	SUPERNOVA - GREY/LIME GREEN (ASTM)	\$ 8,170.00	\$ 7,353.00
✓ 1	M17501-12P	WATER LILIES SPRINGER INGR 60 CM	\$ 1,110.00	\$ 999.00
✓ 1	ROBINIA SWING	2 BAY SWING, (1) TOT SWING, (2) STANDARD SWING	\$ 5,380.00	\$ 4,842.00
1	GXY801621-3717	SPICA 3 009/03 90 CM IN-GROUND ANCHOR.	\$ 2,040.00	\$ 1,836.00
✓ 1	INSTALL	PROFESSIONAL INSTALLATION		\$ 21,100.00
✓ 82	BORDERS	4 X 12" BORDERS, BLACK	\$ 27.50	\$ 2,255.00
✓ 1	ADA	FULL ADA RAMP		\$ 657.00
4	R20C4836	DYNACUSHION WEAR MATS 4'X3'X2"	\$ 127.00	\$ 508.00
1	EWf	ENGINEERED WOOD FIBER		\$ 7,705.00

Sub-Total: \$ 110,012.00  
Freight\*: \$ 3,585.00  
Tax: NA  
Engineering: NA  
Quote Total: \$ 113,597.00

\*ACCEPTANCE OF QUOTATION: This quotation is subject to policies in the current catalog and the following terms and conditions.

Quotation is based on shipment of all items at the same time to one destination, unless otherwise noted. Pricing is subject to change beyond expiration date.

Purchases in excess of \$1,000 must be supported by a written Purchase Order to: American Athletix, LLC.

LEAD TIME: Tentative dates from receipt of deposit (if required); final approved drawings; colors and site prep and readiness.

FREIGHT: Freight charges are estimated. Subject to final charges from freight carrier.

EXCLUSIONS: Unless specifically included, this quotation excludes: all site work and landscaping; removal and disposal of existing equipment;

acceptance of equipment and off-loading; storage of goods prior to installation; equipment assembly and installation; safety surfacing, borders and drainage provisions.

Proposal by: Eric W Jones, American Athletix, LLC

[Eric@americanathletix.com](mailto:Eric@americanathletix.com)

Accepted by: \_\_\_\_\_ Date: \_\_\_\_\_

Purchase Order: \_\_\_\_\_

Visit our website at: [www.americanathletix.com](http://www.americanathletix.com)

Thank you for the opportunity!

We Proudly Partner with:





# KOMPAN Product Info

# THE WIZARD'S DOUBLE TOWER FORTRESS - NRO2010



ROBINIA

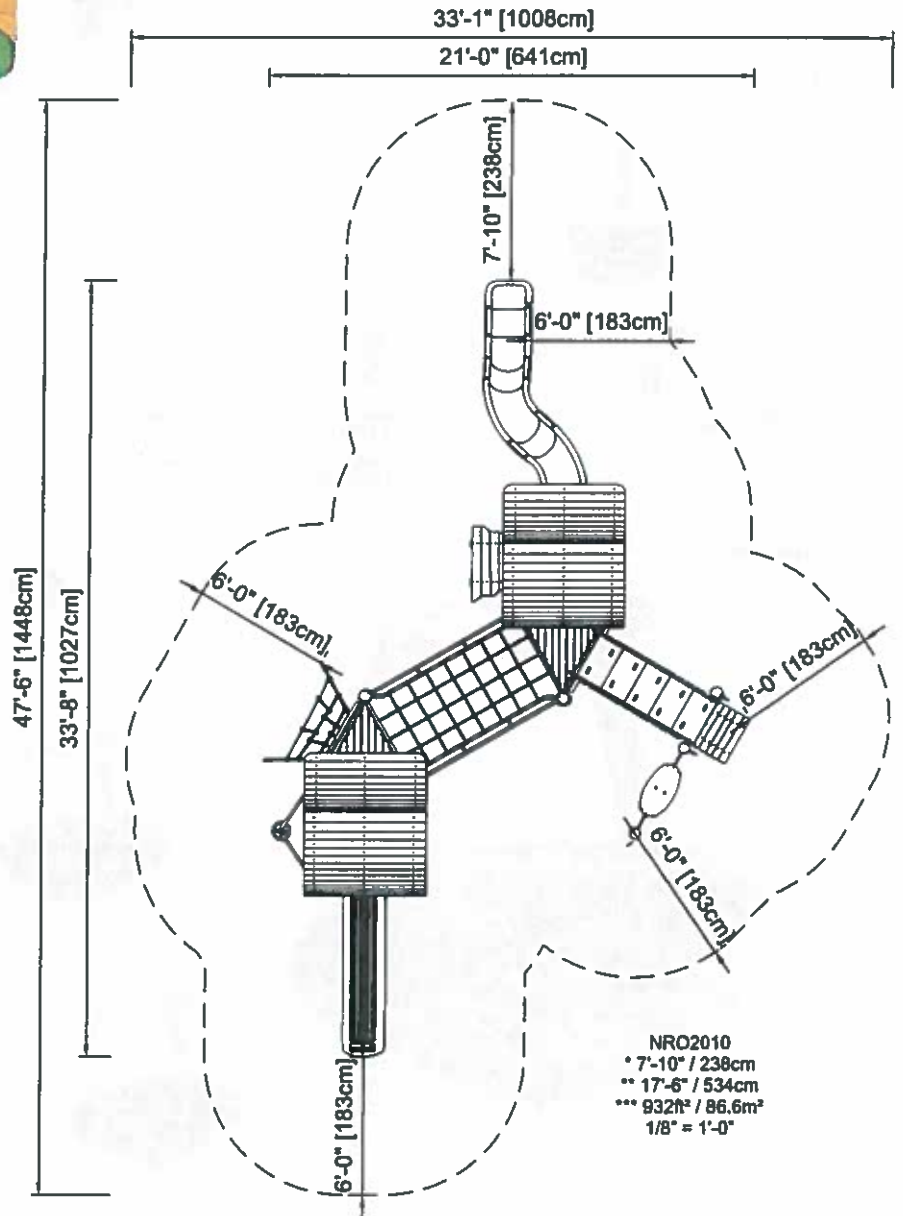
Best User Age: 5-12 years

Footings: In-ground installation only

Technical information available at [kompan.com](http://kompan.com)

ADA ANALYSIS	Elevated Activities	Ground Level Activities	Ground Level Play Types
Present	8	2	2
Accessible	5	2	2
Required	4	3	3

Available Options:



To verify product certification, visit [www.ipema.org](http://www.ipema.org)

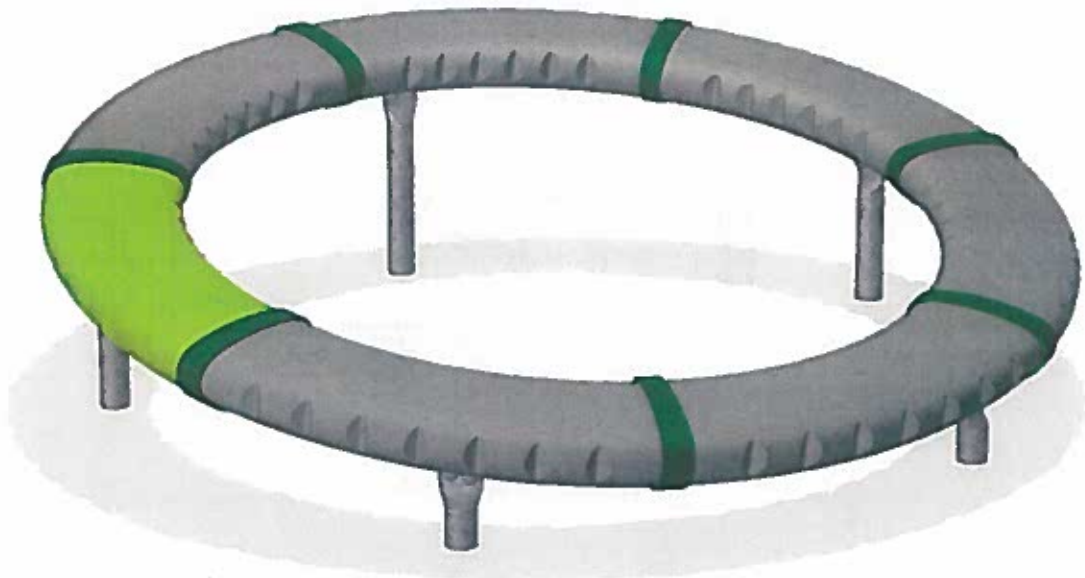
- \* = Highest designated play surface.
- \*\* = Total height of product.
- \*\*\* = Total area of safety zone.

Highest designated play surface, space required and total area of safety zone are according to ASTM F1487.

Equipment must be installed over resilient surfacing appropriate to the safety guidelines in your area.

Product development is an ongoing process. We reserve the right to make modifications on all our products. This product may not be mirrored, scaled or altered in any way. Safety zones must be retained for proper placement of equipment. If any changes are required, please contact your KOMPAN representative at 1.800.426.9788.

**GXY916012**  
**Supernova - Gray**



[Supernova You-Tube Video](#)

<b>Product line</b>	Traditional Play
<b>Product category</b>	Supernova, carousels & spinners
<b>Best user age</b>	5 - 12
<b>Max. fall height (Feet)</b>	100
<b>Total height (Feet)</b>	60
<b>Safety zone area</b>	289 m2



SPINNING



GATHERING



BALANCING



ASTM

# KOMPAN Product Info

# WATER LILIES - M175P



**Best User Age: 2-5 years**

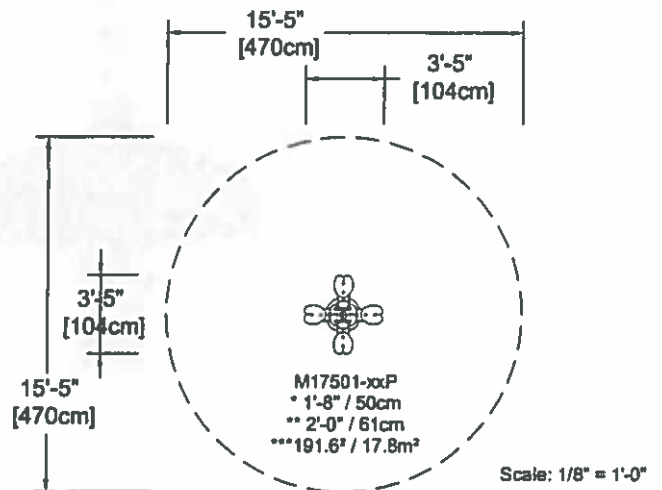
Footings: In-ground posts

Surface installation also available

Technical information available at [kompan.com](http://kompan.com)

ADA ANALYSIS	Elevated Activities: 0	Accessible Elevated Activities	Accessible Ground Level Activities	Accessible Ground Level Play Types
Present	0	1	1	
Required	0	1	1	

**MOMENTS**



To verify product certification, visit [www.ipema.org](http://www.ipema.org)

\* = Highest designated play surface.

\*\* = Total height of product.

Highest designated play surface and space required are according to ASTM F1487.

Equipment must be installed over resilient surfacing appropriate to the safety guidelines in your area.

Product development is an ongoing process. We reserve the right to make modifications on all our products. This product may not be mirrored, scaled or altered in any way. Safety zones must be retained for proper placement of equipment. If any changes are required, please contact your KOMPAN representative at 1.800.426.9788.



NRO912-XX01  
(Seat Diameter 3'-4" / ø102cm)

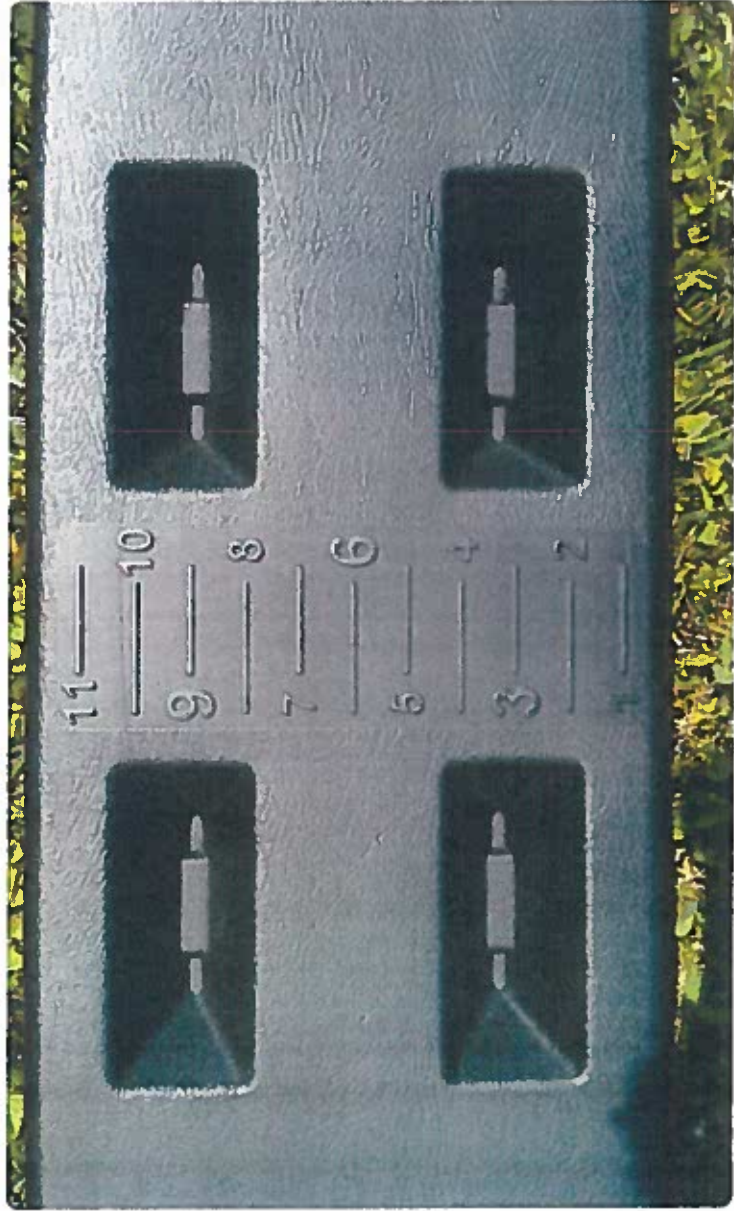
infant seat instead of basket swing



NRO912-XX11  
(Seat Diameter 3'-4" / ø102cm)

# Playground Borders

Action Play Systems offers the highest quality playground border in the industry. APS playground borders are 4' 4" long, 4" wide and available in either 8" or 12" heights.



APS Surfacing Guide (US Patent #D716,113)





**DYNACUSHION™ WEAR MATS**

The patented Dynacushion Wear Mat™ is constructed of 100% recycled fire rubber, and is designed to eliminate erosion around playground equipment and kick out areas at all play structure exits. The Dynacushion has excellent shock absorbency characteristics with a certified 8 ft. fall height, therefore making it the best value in the industry.

**SPECIFICATIONS**

- R2004872 - 4'x6'x2" - 182 lbs.
- R2004943 - 4'x4'x2" - 128 lbs.
- R2004836 - 4'x3'x2" - 96 lbs.
- R2004824 - 4'x2'x2" - 64 lbs.
- R1304872 - 4'x6'x1-1/4" - 144 lbs.
- R1304848 - 4'x4'x1-1/4" - 96 lbs.
- R1304836 - 4'x3'x1-1/4" - 72 lbs.
- R1304824 - 4'x2'x1-1/4" - 48 lbs.

*The Dynacushion provides you with durability, performance, and guaranteed impact attenuation.*

**PERFORMANCE WARRANTY**

Dynacushion Wear Mat is guaranteed to be in compliance with ASTM F1292-94 and F1951, designed to provide a new level of confidence and protection.

**PRODUCT WARRANTY**

Dynacushion Wear Mats carry a 5 year limited product warranty against defective materials and manufacturer's workmanship of the product.

**Physical Properties**

Test Description	Test Ref.	Results
Wear Resistant	ASTM D3884	Passed
Slip Resistant	ASTM F-1077	Passed
Not Flammable	ASTM 2859	Passed
Non Toxic	ASTM 2075	Lead: Not Detected

**DURABLE**

No other wear mat can match the innovative design of the Dynacushion Wear Mat, stability, longevity, durability, and resistance to wear.

**CERTIFICATION**

Dynacushion Wear Mat is certified to meet ASTM requirements for impact attenuation.

**Fall Protection Up to 6'**

**You Know the Problem...**



**Meet the Solution**

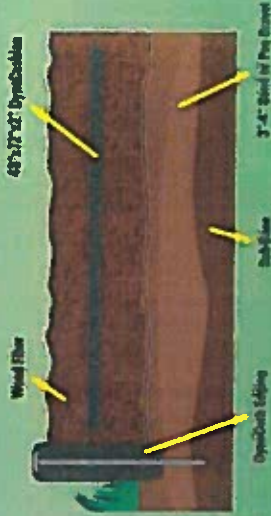
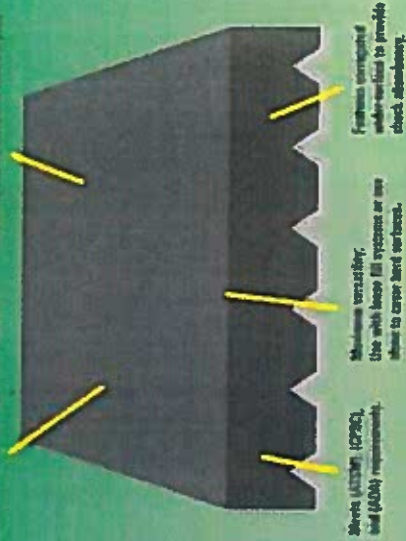


**Dynacushion™ Wear Mats**



**DYNACUSHION™**

Not all mats are created equal. Our mats are made from recycled fire rubber, and are designed to eliminate erosion around playground equipment and kick out areas at all play structure exits.





**Bleachers ♦ Stadium Seating ♦ Playgrounds  
Scoreboards ♦ Gymnasium Equipment  
Shelters ♦ Site Amenities ♦ More**

Info@americanathletix.com ♦ Office: (888) 399-4999 ♦ Fax: (888) 295-2319 ♦ P.O. Box 1881 ♦ Muskegon, MI 49443

**Quotation**

South Russell Park  
Attn: Ike Tripp  
South Russell Village  
5205 Chillicothe Rd  
South Russell, Ohio 44022

Parcour 4, Wizard Double Tower

Date: 4.18.18  
Quote #: SRP040418-2  
Expires: 07.01.18  
Approx. Lead Time 10 weeks

Description: US Communities Contract Pricing

quantity	item number	description	Each	net
✓ 1	NRO854-1011	PARCOUR 004 BROWN	\$ 8,520.00	\$ 7,668.00
✓ 1	NRO2010-1011	THE WIZARD'S DOUBLE TOWER FORTRESS BROWN	\$ 46,840.00	\$ 42,156.00
✓ 1	ELE400065-3717GR	TIPI CAROUSEL WITH TOP BRACE GREEN - INGROUND	\$ 4,210.00	\$ 3,789.00
✓ 1	GXY960012-3417	SUPERNOVA - GREY/LIME GREEN (ASTM)	\$ 8,170.00	\$ 7,353.00
✓ 1	M17501-12P	WATER LILIES SPRINGER INGR 60 CM	\$ 1,110.00	\$ 999.00
✓ 1	ROBINIA SWING	2 BAY SWING, (1) TOT SWING, (2) STANDARD SWING	\$ 5,380.00	\$ 4,842.00
✓ 1	GXY801621-3717	SPICA 3 009/03 90 CM IN-GROUND ANCHOR.	\$ 2,040.00	\$ 1,836.00
✓ 1	INSTALL	PROFESSIONAL INSTALLATION		\$ 19,120.00
✓ 82	BORDERS	4 X 12" BORDERS, BLACK	\$ 27.50	\$ 2,255.00
✓ 1	ADA	FULL ADA RAMP		\$ 657.00
4	R20C4836	DYNACUSHION WEAR MATS 4'X3'X2"	\$ 127.00	\$ 508.00
1	EWf	ENGINEERED WOOD FIBER		\$ 7,705.00
<b>Sub-Total:</b>				\$ 98,888.00
<b>Freight*:</b>				\$ 3,400.00
<b>Tax:</b>				NA
<b>Engineering:</b>				NA
<b>Quote Total:</b>				\$ 102,288.00

\*ACCEPTANCE OF QUOTATION: This quotation is subject to policies in the current catalog and the following terms and conditions.  
 Quotation is based on shipment of all items at the same time to one destination, unless otherwise noted. Pricing is subject to change beyond expiration date.  
 Purchases in excess of \$1,000 must be supported by a written Purchase Order to: American Athletix, LLC.  
 LEAD TIME: Tentative dates from receipt of deposit (if required); final approved drawings; colors and site prep and readiness.  
 FREIGHT: Freight charges are estimated. Subject to final charges from freight carrier.  
 EXCLUSIONS: Unless specifically included, this quotation excludes: all site work and landscaping; removal and disposal of existing equipment; acceptance of equipment and off-loading; storage of goods prior to installation; equipment assembly and installation; safety surfacing, borders and drainage provisions.

Proposal by: Eric W Jones, American Athletix, LLC

[Eric@americanathletix.com](mailto:Eric@americanathletix.com)

Accepted by: \_\_\_\_\_ Date: \_\_\_\_\_

Purchase Order: \_\_\_\_\_

Visit our website at: [www.americanathletix.com](http://www.americanathletix.com)

Thank you for the opportunity!

We Proudly Partner with:



